

BLUMOTION for doors



BLUMOTION for doors

Quiet closing for Blum concealed hinges

www.blum.com

Perfecting motion  **blum**[®]

BLUMOTION redefines the phrase “quality of motion”



Innovative solutions for every application

BLUMOTION for doors can be quickly integrated into cabinets. It will work for almost any application and does not require any change to the hinge assembly.

BLUMOTION redefines the phrase “quality of motion”. The system is quick and easy to install and once installed, creates a quiet closing motion.



Contents

- 8 BLUMOTION 973A for CLIP top and CLIP hinges
- 10 BLUMOTION 973A for angled hinges
- 12 BLUMOTION 971A for Euro hinges
- 14 BLUMOTION 971A for COMPACT hinges
- 16 BLUMOTION 970A for Euro hinges
- 18 Adapter plates for BLUMOTION 970A
- 20 BLUMOTION for doors overview for Euro hinges
- 21 Assembly aids
- 22 Accessories

An innovation that inspires





BLUMOTION 973A can be installed at any point during the production and sales process. This means that everyone – from manufacturer to dealer and retailer all the way to the end customer – can make the decision at any time whether or not they want to profit from the added value of the new BLUMOTION technology.

Ideally, doors should be equipped with BLUMOTION during the manufacturing process. In one simple work step the mechanism is attached onto the CLIP top or CLIP hinge. Hinge and mounting plate boring depths and positions remain unchanged, therefore there are no additional set-up costs.



BLUMOTION, combined with Blum's well established quality, gives the consumer new benefits and peace of mind. Each time a door is closed they will be reminded of the exceptional quality of their cabinets.

Quiet closing – every time

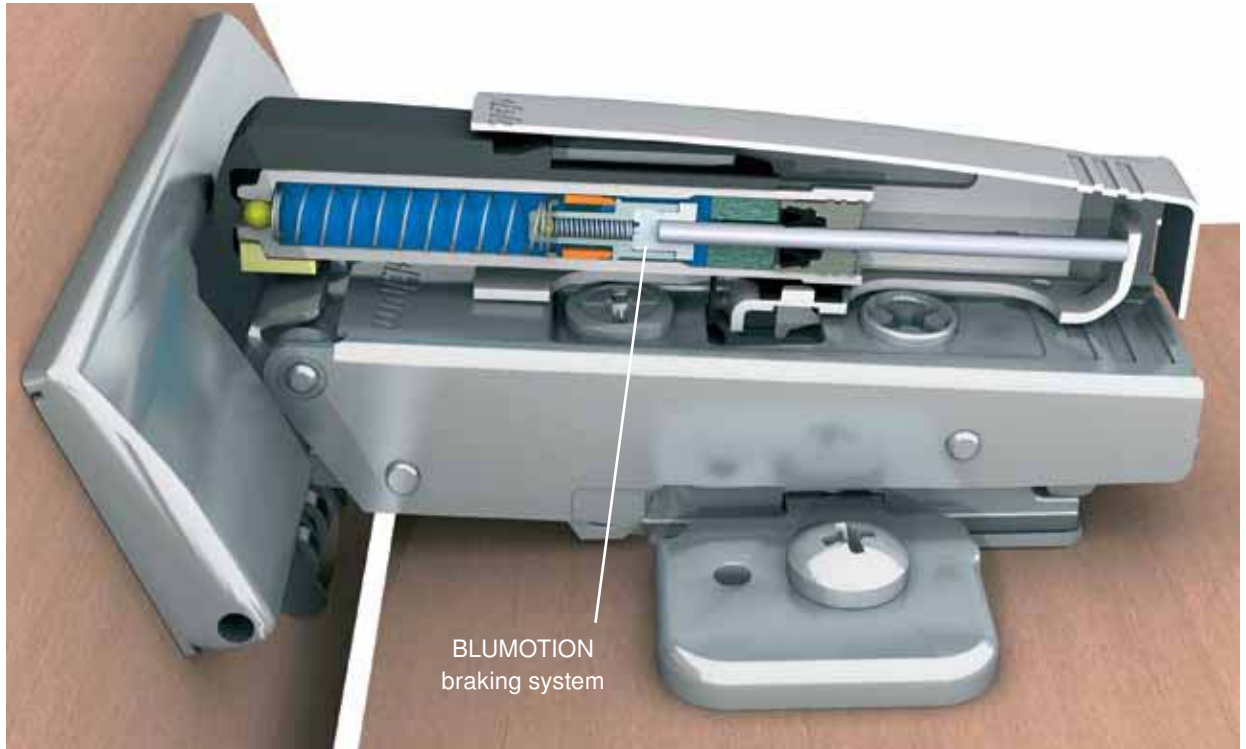
A look behind the scenes at the BLUMOTION adaptive system.

The braking system expands according to the force, regulating the travel speed of the mechanism. This technology enables BLUMOTION to adjust itself automatically to each door size, weight and closing speed.

- Quiet closing motion every time due to adaptability
- The integrated overload safety feature protects the BLUMOTION system from damage through abuse
- BLUMOTION lasts the lifetime of the cabinet – ensuring that your customers remain satisfied

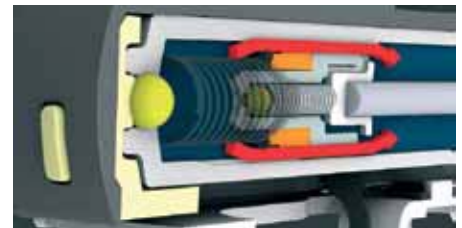


How the adaptive system works



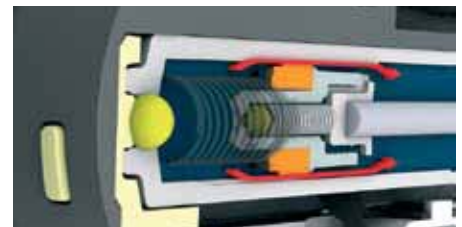
Slow closing speed

The braking system expands slightly, generating only modest resistance to the flow. The BLUMOTION effect is controlled via the flow speed and in this case remains low.



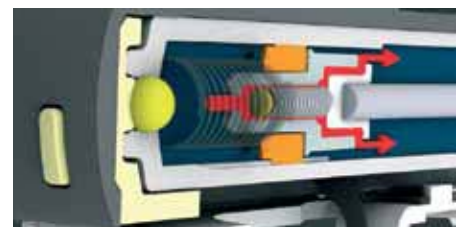
Fast closing speed

The braking system expands, which constricts the flow channel, to create greater resistance. This results in a strong BLUMOTION effect.



Closing speed that is too fast

The overload safety feature kicks in. The excessive force is diverted using an additional flow channel and both BLUMOTION and the hinge are protected from damage.



BLUMOTION 973A for CLIP top and CLIP hinges

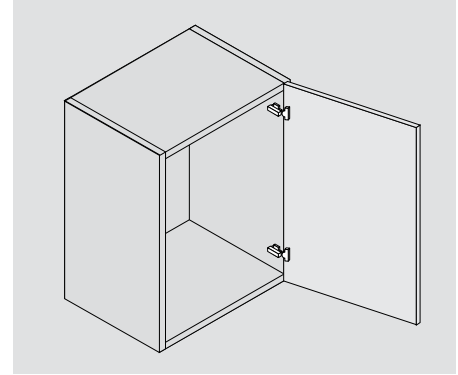
Product



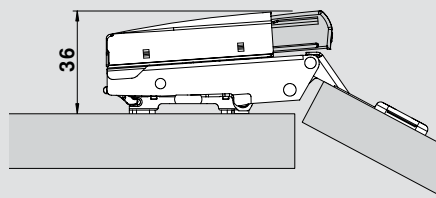
Description

- Quiet closing feature for CLIP top and CLIP hinges
- Offers the same quality of motion as drawer systems with BLUMOTION
- Automatically adjusts to the closing force of the door
- Simple attachment to the hinge arm
- Nickel plated steel and gray nylon
- Designed for use with Blum Euro hinges only

Application



For hinges with a straight-arm



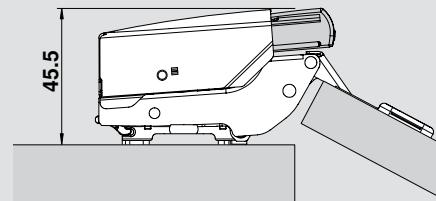
- CLIP top 107°
- CLIP top 120°
- CLIP top 120°+
- CLIP top 95° thick door
- CLIP top 110° special application
- CLIP top 120° aluminum door
- CLIP 100°
- CLIP 107°

Part no.

Straight-arm

973A0500.01

For hinges with a half-cranked arm



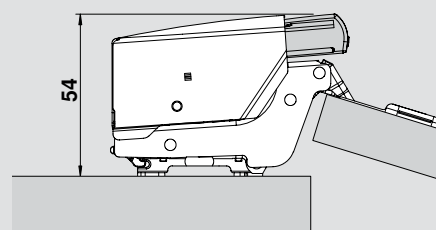
- CLIP top 107°
- CLIP top 120°
- CLIP top 95° thick door
- CLIP top 120° aluminum door
- CLIP 100°
- CLIP 107°

Part no.

Half-cranked arm

973A0600

For hinges with a full-cranked arm



- CLIP top 107°
- CLIP top 95° thick door
- CLIP 100°

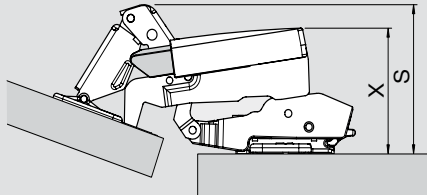
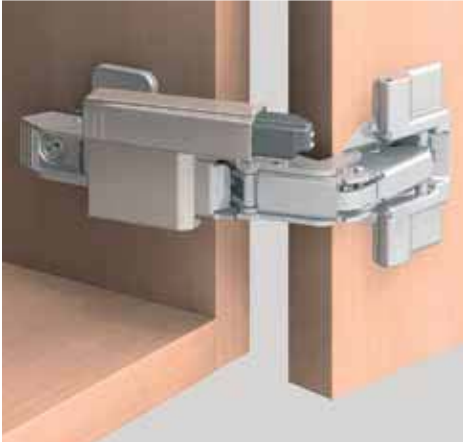
Part no.

Full-cranked arm

973A0700

Specifications

For wide angled hinges with straight or half-cranked arms



- CLIP top 170° — straight-arm
- CLIP top 170° — half-cranked
- CLIP top 155° zero protrusion hinge
- CLIP 170° — straight-arm
- CLIP 170° — half-cranked

Hinge	X	S
CLIP top/CLIP straight-arm	49	65 max.
CLIP top/CLIP half-cranked	68	75 max.
CLIP top zero protrusion	49	56 max.

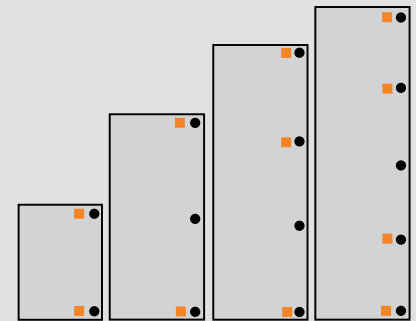
Part no.

NOTE: Additional clearance of 41 mm needed above and below for interior roll-out

973A6000

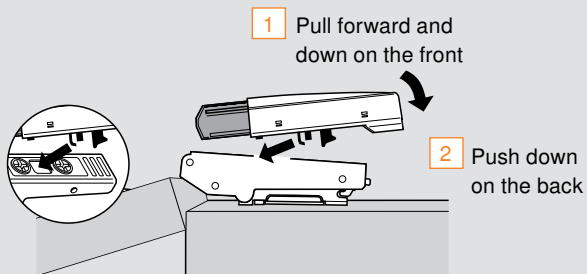
BLUMOTION per door

- BLUMOTION 973A is designed for one BLUMOTION per self-closing hinge, however, quantity may vary depending on door size and weight
- Small or light doors may only require one BLUMOTION
- Trial application recommended



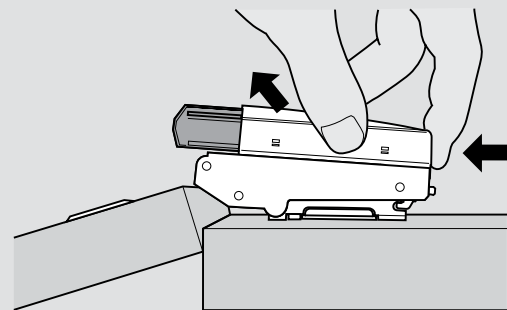
■ BLUMOTION 973A
 ● Hinges

Attachment



Attach to the square hole in the hinge arm

Removal



Pull forward and up simultaneously

BLUMOTION 973A for angled hinges

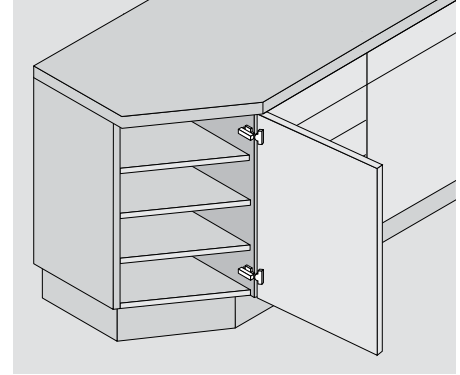
Product



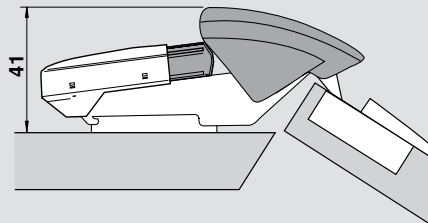
Description

- Quiet closing feature for CLIP top + 30° II, + 45° I and + 45° II angled hinges
- Offers the same quality of motion as drawer systems with BLUMOTION
- Automatically adjusts to the closing force of the door
- Simple attachment to Blum hinges
- Nickel plated steel and gray nylon components

Application



CLIP top + 30° II



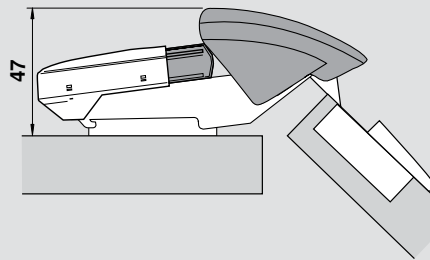
- For use with 79A9596BT1

Part no.

CLIP top + 30° II

973A7360

CLIP top + 45° I



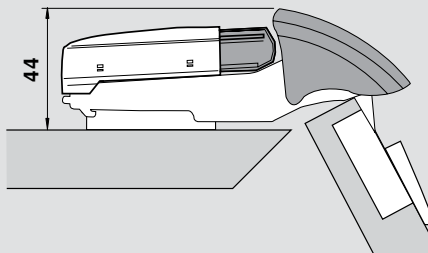
- For use with 79A9698BT

Part no.

CLIP top + 45° I

973A7480

CLIP top + 45° II



- For use with 79T5590B

Part no.

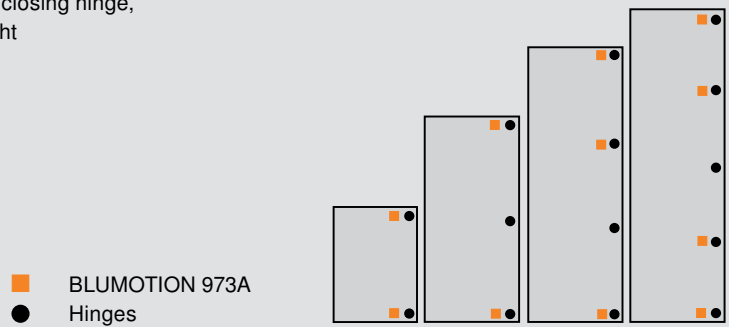
CLIP top + 45° II

973A7680

Specifications

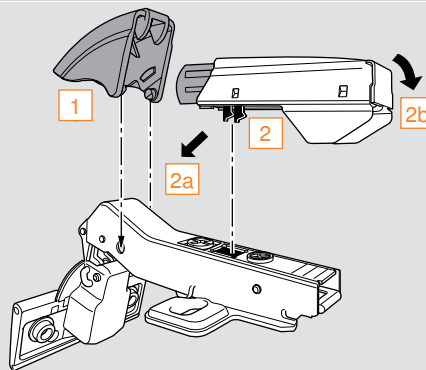
BLUMOTION per door

- BLUMOTION 973A is designed for one BLUMOTION per self-closing hinge, however, quantity may vary depending on door size and weight
- Small or light doors may only require one BLUMOTION
- Trial application recommended



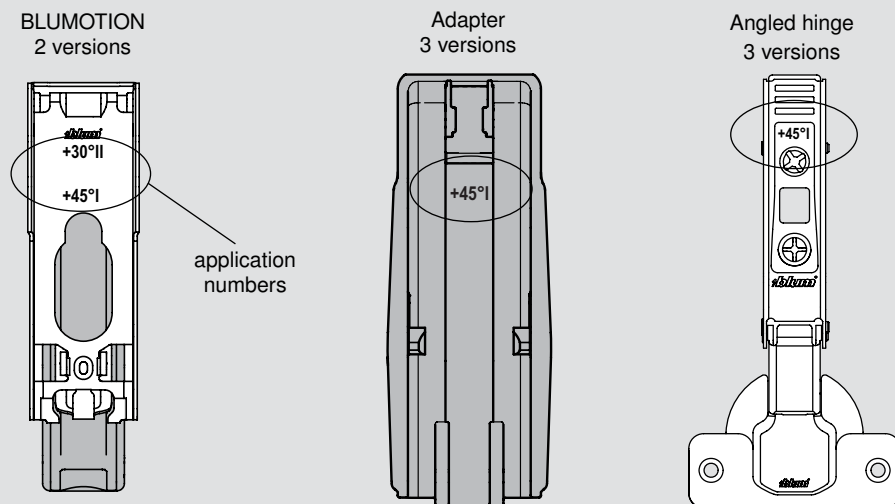
Assembly

- 1 Attach nylon adapter
- 2 Attach BLUMOTION
- 2a Pull forward and down on the front
- 2b Push down on the back



Components

- BLUMOTION and adapter offered in a poly-bag set
- Hinge offered separately
- All components need to have matching application numbers



BLUMOTION 971A for Euro hinges

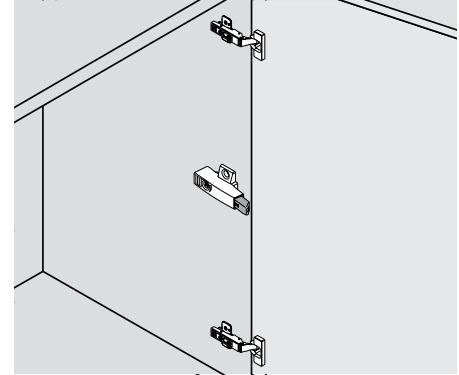
Product



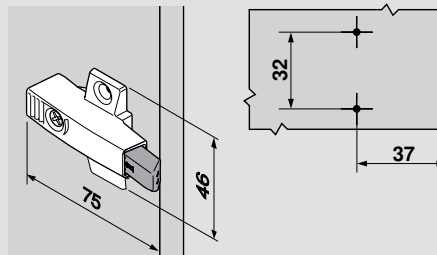
Description

- Quiet closing feature for CLIP top and CLIP straight-arm hinges
- Offers the same quality of motion as drawer systems with BLUMOTION
- Adjustable to various door sizes and weights (+3/-7 mm range)
- Installed onto hinge-side panel
- Nickel plated steel and gray nylon
- For use with straight-arm hinge and either 0 mm or 3 mm mounting plate only

Application



Wing plate (screw-on)

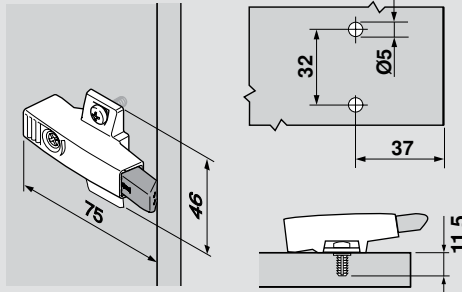


- 37 mm setback, 32 mm apart
- Attach with #6 x 5/8" wood screws

Part no.

0 mm	971A0500
3 mm	971A2500
Installation screw	606N or 606P

Wing plate (EXPANDO)

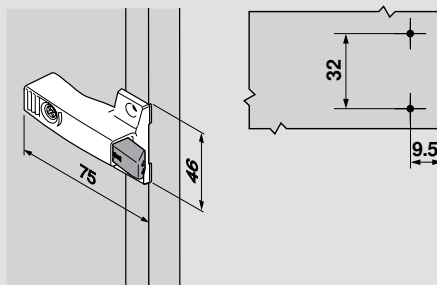


- 37 mm setback, 32 mm apart
- Attached with pre-mounted screws with 5 mm EXPANDO dowels

Part no.

0 mm	971A05E0
3 mm	971A25E0

Face frame adapter plate (screw-on)

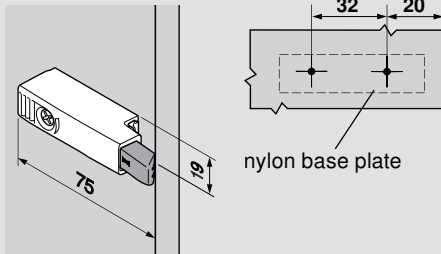


- 9.5 mm setback, 32 mm apart
- Attach with #6 x 5/8" wood screws

Part no.

0 mm	971A0700
3 mm	971A2700
Installation screw	606P or 606N

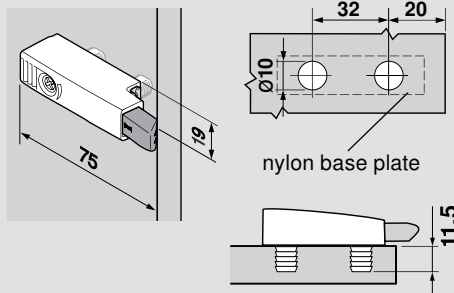
Two piece in-line plate (screw-on)



- Two-piece design
- 20 mm setback, 32 mm apart
- Attach with #6 x 5/8" wood screws

Part no.	
0 mm	971A0200
3 mm	971A2200
Installation screw	606N or 606P

Two piece in-line plate (press-in)



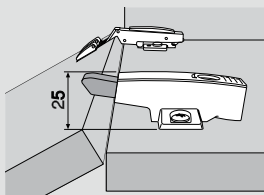
- Two-piece design
- 20 mm setback, 32 mm apart
- 10 mm dowels

Part no.	
0 mm	971A0230
3 mm	971A2230

Specifications

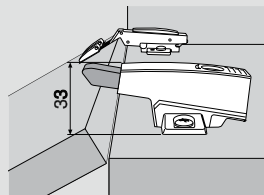
0 mm BLUMOTION application

For all hinges with a straight-arm and a 0 mm mounting plate.



3 mm BLUMOTION application

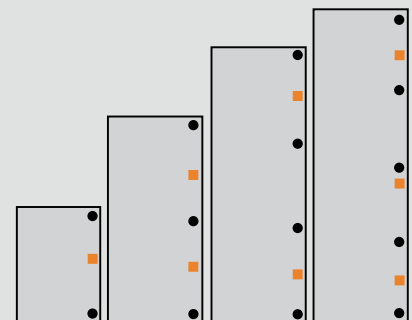
For all hinges with a straight-arm and a 3 mm mounting plate.



NOTE: 95° thick door straight-arm hinge requires 3 mm BLUMOTION

BLUMOTION per door

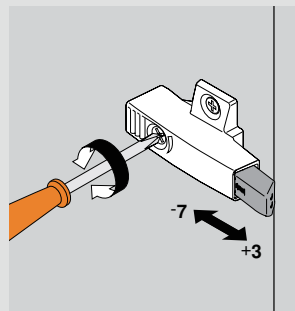
- For optimum BLUMOTION effect, BLUMOTION 971A should be installed onto the hinge side panel centered between the two hinges
- Tall or heavy doors may require an additional BLUMOTION 971A between the hinges
- Trial application recommended



- BLUMOTION 971A
- Hinges

Adjustment

Use a Phillips or POZI screwdriver to adjust the contact point in or out (+3/-7 mm). Adjust out for larger, heavier doors or adjust in for smaller, lighter doors.



BLUMOTION 971A for COMPACT hinges

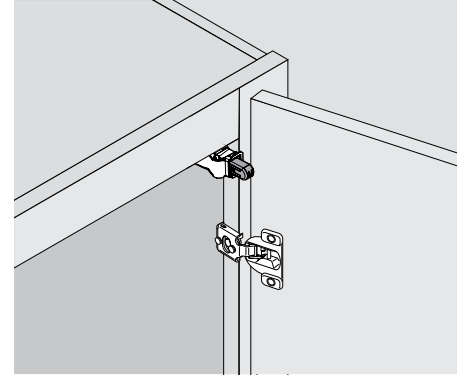
Product



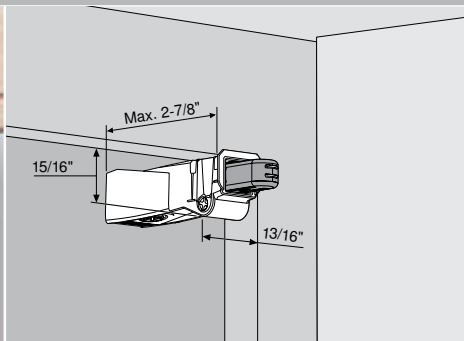
Description

- Quiet closing feature for COMPACT hinges
- Offers the same quality of motion as drawer systems with BLUMOTION
- Adjustable to various door sizes and weights (+5/-5 mm range)
- Installed anywhere onto the hinge-side stile of the cabinet
- Nickel plated steel and gray nylon
- Designed for use with Blum COMPACT hinges only

Application



BLUMOTION mechanism

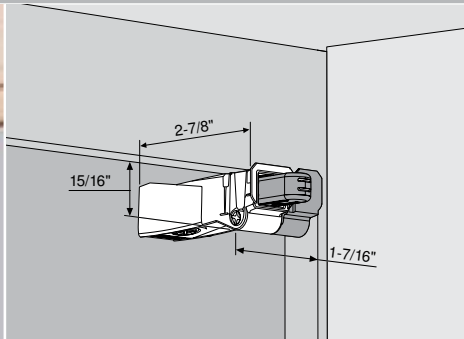


Full overlay — 1" or greater overlay

Part no.

BLUMOTION	971A9700
Installation screw (1-14")	8114Z

Partial overlay spacer

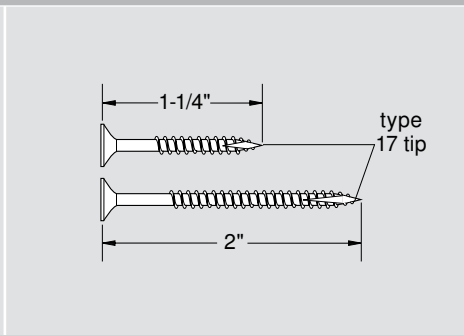
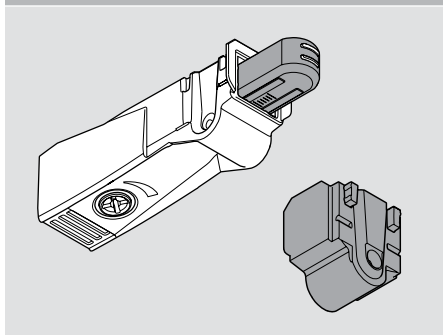


Partial overlay — less than 1" overlay

Part no.

Spacer	971A9709
Installation screw (2")	8200Z

BLUMOTION poly-bag set



Can be used for all COMPACT overlays

Set includes:

- BLUMOTION mechanism (qty1)
- Spacer (qty 1)
- #8 x 1-1/4" type 17 wood screw (qty 1)
- #8 x 2" type 17 wood screw (qty 1)

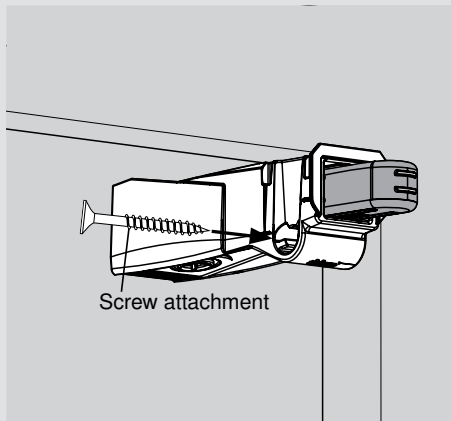
Part no.

Poly-bag set	971A9700.A1
--------------	-------------

Specifications

Mounting

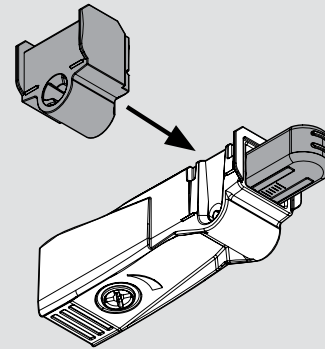
BLUMOTION for doors mounts anywhere on the hinge-side stile of the cabinet using a 1-1/4" screw or 2" screw when using spacer.



NOTE: BLUMOTION should not contact the hinge cup

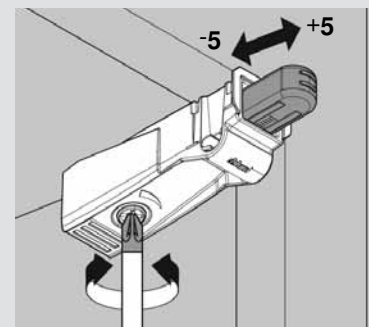
Attachment of partial overlay spacer

The partial overlay spacer snaps onto the side of the BLUMOTION for easier mounting.



Adjustment

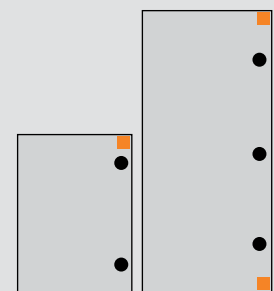
Use a Phillips or POZI screwdriver to adjust the contact point in or out (+5/-5 mm). Adjust out for larger, heavier doors or in for smaller, lighter doors.



BLUMOTION per door

- For optimum BLUMOTION effect, one BLUMOTION 971A should be installed for most applications
- Tall or heavy doors may require an additional BLUMOTION 971A
- Trial application recommended

- BLUMOTION 971A
- Hinges



BLUMOTION 970A for Euro hinges

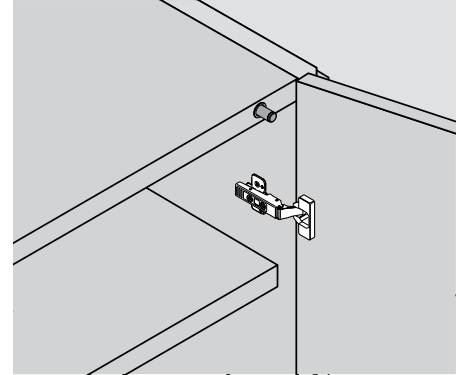
Product



Description

- Quiet closing feature for CLIP top and CLIP hinges
- Offers the same quality of motion as drawer systems with BLUMOTION
- Automatically adjusts to the closing force of the door
- Installed into the top and/or bottom panel or with adapter plates on hinge-side

Application



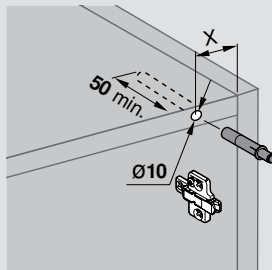
BLUMOTION 970A requirements

The table on page 17 provides the corresponding boring distance for each application.

Boring distance (X) in mm

N° 35	48
-------	----

Application (App)



Part no.

* Refer to the special application section of the concealed hinge catalog

BLUMOTION

970A1002

Adapter plates

Wing adapter plate



In-line adapter plate



page 18-19

BLUMOTION per door

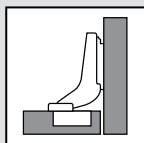
- BLUMOTION 970A is designed for two BLUMOTION per door, however, one may be enough depending on door size and weight
- Small or light doors may only require one BLUMOTION
- Trial application recommended

- BLUMOTION 970A
- Hinges

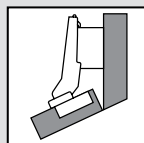


BLUMOTION adapter plates 970.xxxx are required for the following applications

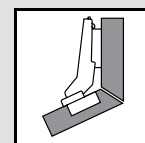
Inset application



Inset angled application



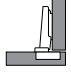
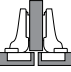
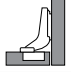
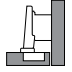
Mitered angled application



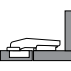
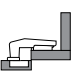
Applications



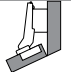
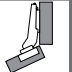
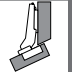
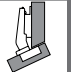
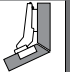
Standard application

		Overlay boring distance		Twin boring distance		Inset boring distance		Inset with straight-arm boring distance
Mounting plate height	0 mm	32	0 mm	41	0 mm	50	18 mm	50
	3 mm	35	3 mm	44	3 mm	53		
	6 mm	38	6 mm	47				
	9 mm	41	9 mm	50				

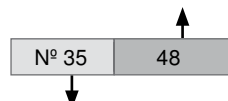
Blind corner applications

		Inset blind corner boring distance		Overlay blind corner boring distance
Mounting plate height			0 mm	32
	3 mm	51	3 mm	35
			6 mm	38

Angled applications

		Inset boring dist.		Corner merge boring dist.		Partial overlay X in mm		Max. overlay X in mm		Mitered corner X in mm
5°	N° 27	48	N° 19	48	N° 10	33	N° 1	33	N° 36	45
10°	N° 28	48	N° 20	48	N° 11	33	N° 2	33	N° 37	45
15°	N° 29	48	N° 21	48	N° 12	33	N° 3	33	N° 38	45
20°	N° 30	48	N° 22	48	N° 13	37	N° 4	33	N° 39	45
25°	N° 31	48	N° 23	48	N° 14	37	N° 5	33	N° 40	45
30°	N° 32	48	N° 24	48	N° 15	41	N° 6	33	N° 41	45
35°	N° 33	48	N° 25	48	N° 16	41	N° 7	33		
40°	N° 34	48			N° 17	41	N° 8	33		
45°	N° 35	48	N° 26	48	N° 18	41	N° 9	33		
-5°	N° 51	48					N° 42	37		
-10°	N° 52	54					N° 43	33		
-15°	N° 53	54					N° 44	33		
-20°	N° 54	54					N° 45	37		
-25°	N° 55	54					N° 46	33		
-30°							N° 47	33		
-35°							N° 48	37		
-40°							N° 49	37		
-45°							N° 50	37		

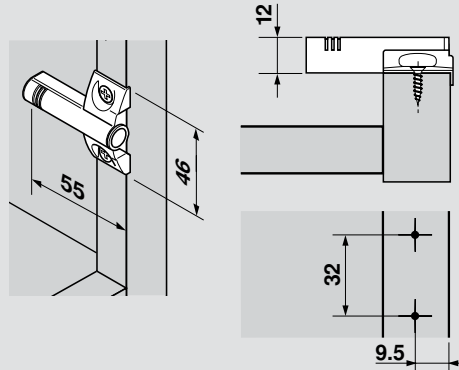
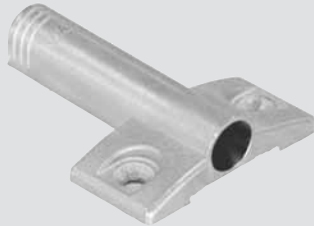
Boring distance (X) in mm



Application (App)

Adapter plates for BLUMOTION 970A

Face frame adapter (screw-on)

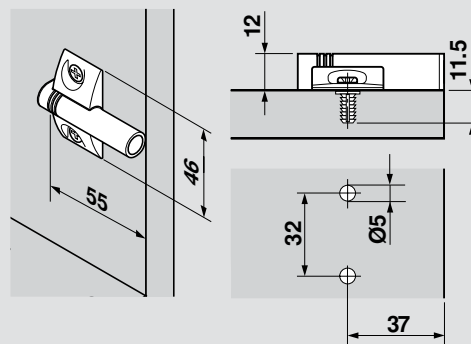
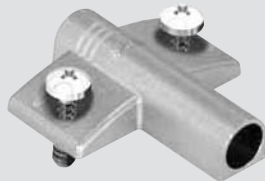


- 9.5 mm setback, 32 mm apart
- Can also be used in panel cabinets
- Nickel plated steel and gray nylon
- Attach with #6 x 5/8" wood screws

Part no.

Screw-on	970.5701
Installation screw	606N or 606P

37/32 mm adapter (EXPANDO)

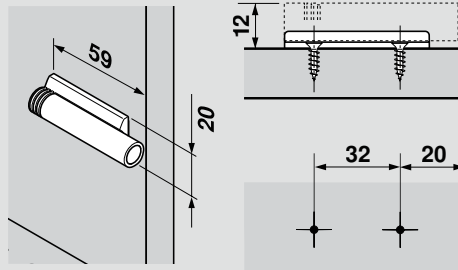


- 37 mm setback, 32 mm apart
- EXPANDO version installs with pre-attached screws
- Nickel plated steel and gray nylon

Part no.

EXPANDO	970.55E1
---------	-----------------

In-line adapter (screw-on)

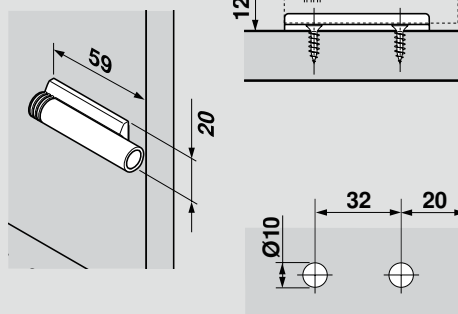


- 20 mm setback, 32 mm apart
- Two-piece design
- Nickel plated steel and gray nylon
- Attach with #6 x 5/8" wood screws

Part no.

Screw-on	970.5201
Installation screw	606N or 606P

In-line adapter (press-in)

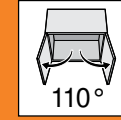
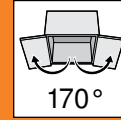
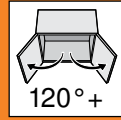
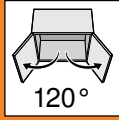
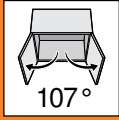
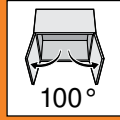


- 20 mm setback, 32 mm apart
- Two-piece design
- Nickel plated steel and gray nylon

Part no.

Press-in	970.5231
----------	-----------------

BLUMOTION for doors
overview for Euro hinges



Standard hinge

Standard hinge

Standard hinge

Standard hinge

Standard hinge

Special hinge

Overlay



Straight-arm hinge, 0 plate

Straight-arm hinge, 0 plate

Straight-arm hinge, 0 plate

Straight-arm hinge, 0 plate

Straight-arm hinge, 0 plate

Straight-arm hinge, 0 plate

973A0500.01

973A0500.01

973A0500.01

973A0500.01

973A6000

973A0500.01



971Axxxx

971Axxxx

971Axxxx

971Axxxx

971Axxxx

971Axxxx



970A1002

970A1002

970A1002

970A1002

970A1002

970A1002

Twin



Straight-arm hinge, 9 plate

Straight-arm hinge, 9 plate

Straight-arm hinge, 9 plate

Straight-arm hinge, 9 plate

Straight-arm hinge, 9 plate

Straight-arm hinge, 9 plate

973A0500.01

973A0500.01

973A0500.01

973A0500.01

973A6000

973A0500.01



Half-vented hinge, 0 plate

Half-vented hinge, 0 plate

Half-vented hinge, 0 plate

Half-vented hinge, 0 plate

973A0600

973A0600

973A0600

—

973A6000

—



970A1002

970A1002

970A1002

970A1002

970A1002

970A1002

Inset



Straight-arm hinge, 18 plate

Straight-arm hinge, 18 plate

Straight-arm hinge, 18 plate

Straight-arm hinge, 18 plate

Straight-arm hinge, 18 plate

Straight-arm hinge, 18 plate

973A0500.01

973A0500.01

973A0500.01

973A0500.01

973A6000

973A0500.01



Half-vented hinge, 9 plate

Half-vented hinge, 9 plate

Half-vented hinge, 9 plate

Half-vented hinge, 9 plate

973A0600

973A0600

973A0600

—

973A6000

—



Full-vented hinge, 0 plate

Full-vented hinge, 0 plate

973A0700

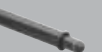
973A0700

—

—

—

—



970A1002

970A1002

970A1002

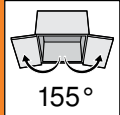
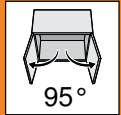
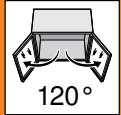
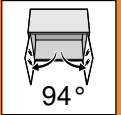
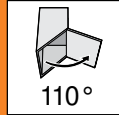
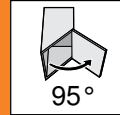
970A1002

970A1002

970A1002

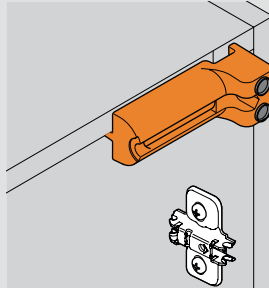
recommended

possible

 155°	 95°	 120°	 94°	 94°	 95°	 110°	 95°
Zero protrusion hinge	Thick door hinge	Aluminum door hinge	Glass door hinge	Mini hinge	Blind corner hinge - overlay and inset	Angled hinges: +30 II, +45 I, +45 II	Angled hinges: remaining types
Straight-arm hinge, 0 plate	Straight-arm hinge, 0 plate	Straight-arm hinge, 0 plate					
973A6000	973A0500.01	973A0500.01	—	—	—	973Axxxx	—
971Axxxx	971A2xx0	—	971Axxxx	971Axxxx	—	—	—
970A1002	970A1002	970A1002	970A1002	970A1002	970A1002	970A1002	970A1002
Straight-arm hinge, 9 plate	Straight-arm hinge, 9 plate						
973A6000	973A0500.01	—	—	—	—	—	—
	Half-cranked hinge, 0 plate						
—	973A0600	—	—	—	—	—	—
970A1002	970A1002	970A1002	970A1002	970A1002	970A1002	970A1002	970A1002
Straight-arm hinge, 18 plate	Straight-arm hinge, 18 plate	Straight-arm hinge, 18 plate					
973A6000	973A0500.01	973A0500.01	—	—	—	—	—
	Half-cranked hinge, 9 plate	Half-cranked hinge, 9 plate					
—	973A0600	973A0600	—	—	—	—	—
	Full-cranked hinge, 0 plate						
—	973A0700	—	—	—	—	—	—
970A1002	970A1002	970A1002	970A1002	970A1002	970A1002	970A1002	970A1002

Accessories

Boring template



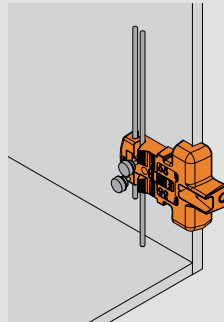
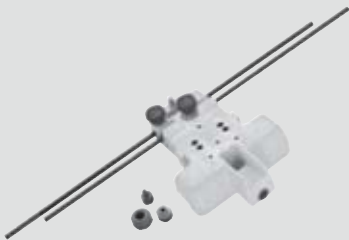
- For pre-boring BLUMOTION 970A
- Ø10 mm drill bushing for edge boring
- Includes Ø10 mm stop collar
- Bores left and right side of cabinet
- Can also be used with TIP-ON for doors

Part no.

Boring template

65.5010

BLUMOTION for doors boring template



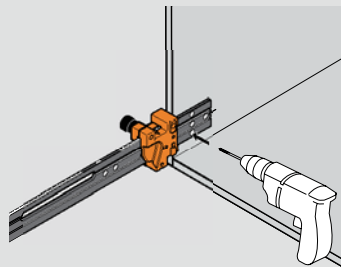
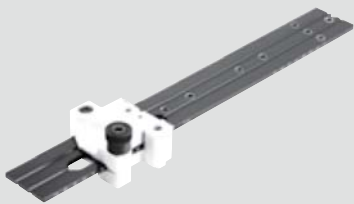
- For pre-boring of BLUMOTION adapters
- Ø10 mm stop collar for panel edge boring
- Vertical guides for setting height
- Includes Ø10 mm, Ø5 mm and Ø2.5 mm stop collars
- Can be used to pre-bore for wing and in-line mounting plates
- Bores left and right side of cabinet

Part no.

BLUMOTION boring template

65.5000

Universal Individual template



- For pre-boring BLUMOTION adapter plates
- Also used for marking or pre-boring cabinet profiles and TIP-ON adapter plates
- Calibrated scale for accurate setting

Set includes:

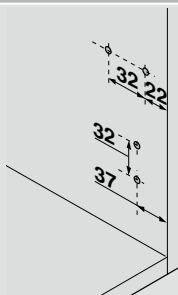
- Universal individual template
- Ø2.5 mm and Ø5 mm stop collars

Part no.

Template

65.1051

Mounting plate template



- Used for simple location and pre-boring of adapter screw positions
- If mounting plates are standard, multiple templates can be attached to a wooden strip
- Pre-bores Ø2.5 mm holes for wood screws
- Can also be used for wing and 22 mm setback in-line mounting plates for hinges
- Can be used to transfer measurements from door to cabinet


Part no.

Mounting plate template

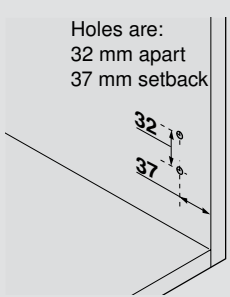
65.5310



ECOJIG boring template



Holes are:
32 mm apart
37 mm setback

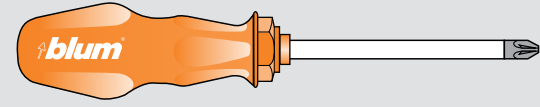


- Used to pre-bore Ø5 mm holes for EXPANDO BLUMOTION adapters
- Can also be used for pre-boring holes for EXPANDO and INSERTA wing mounting plates for hinges
- Includes Ø5 mm stop collar

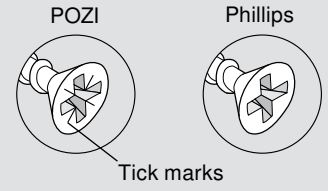
Part no.

ECOJIG	65.5070
--------	----------------

POZI DRIVER and bits



A POZI screwdriver (different from Phillips) is the most crucial tool you can use to assure that full torque is applied to all Blum mounting screws. POZI screws can be identified by the distinctive "tick" marks located in the center of the screw head recess.




Part no.

#2 POZI DRIVER	POZI DRIVER
1/4" bit holder	BIT HOLDER
#2 x 1" POZI bit insert	POZI BIT #2x1
#2 x 2" POZI bit insert	POZI BIT #2x2

Drill bits


RH twist drill bit



Part no.

Ø2.5 mm	DB-2.5mm
Ø5 mm	DB-5mm
Ø10 mm	DB-10mm

Deep thread wood screws



Part no.

#6 x 5/8", #2 Phillips	606N
#6 x 5/8", #2 POZI	606P
#8 x 1-1/4" type 17	8114Z
#8 x 2" type 17	8200Z

Conversion Chart		
	Inch	mm
	1/32	.031 1
	1/16	.063 1.5
	3/32	.094 2
	1/8	.125 3
	5/32	.156 4
	3/16	.188 5
	7/32	.219 5.5
	1/4	.25 6
	9/32	.281 7
	5/16	.313 8
	11/32	.344 9
	3/8	.375 9.5
	13/32	.406 10
	7/16	.438 11
	15/32	.469 12
	1/2	.5 13
	17/32	.531 13.5
	9/16	.563 14
	19/32	.594 15
	5/8	.625 16
	21/32	.656 17
	11/16	.688 17.5
	23/32	.719 18
	3/4	.75 19
	25/32	.781 20
	13/16	.813 20.5
	27/32	.844 21
	7/8	.875 22
	29/32	.906 23
	15/16	.938 24
	31/32	.969 24.5
	1	1 25.4



Please visit www.blum.com for information on other Blum products.
Technical specifications subject to change without notice.
LIT.HNG1600.06.09 © 2009 Printed in USA

Blum, Inc.
7733 Old Plank Rd.
Stanley, NC 28164
800-438-6788
704-827-1345
fax 704-827-0799
www.blum.com

